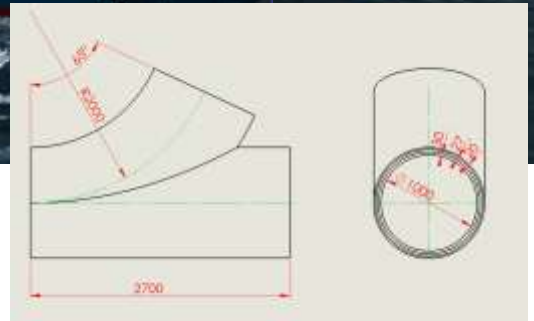
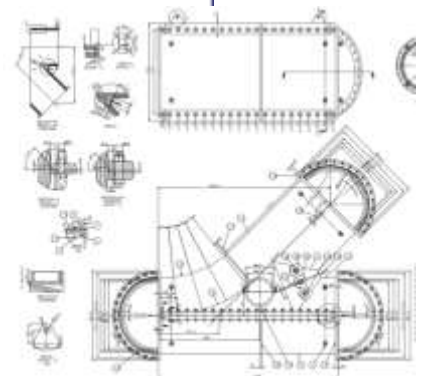
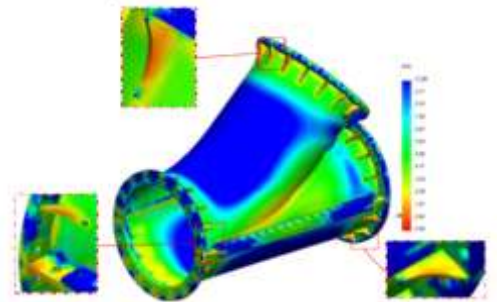


Engineering & Design

Trailing Suction Hopper Dredger Y-piece



Client	Van Oord Dredging and Marine Contractor
Vessel type	Trailing Suction Hopper Dredger
Item	Y-piece, double walled
	Diameter \varnothing 1000mm
	Working pressure 25bar
Supply	Engineering package
Year	2020
Scope	Design
	Stress calculations
	Production drawings



HK International B.V. the Netherlands

Manuscriptstraat 1

1321 NP Almere

The Netherlands

Tel.: +31(0)36-5245567

Fax: +31(0)36-5245567

E-mail: info@hk-international.nl