

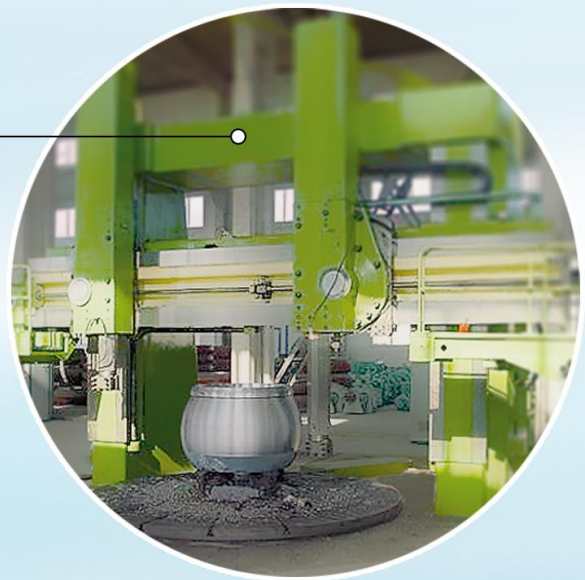
WE THINK BIG

HK
International

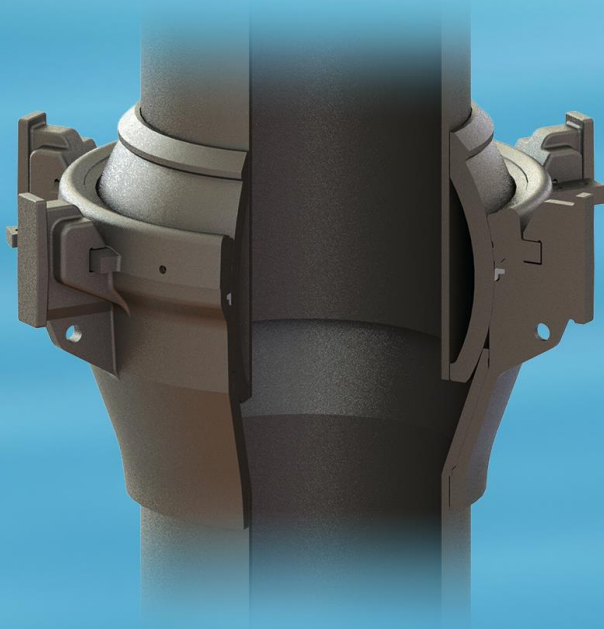
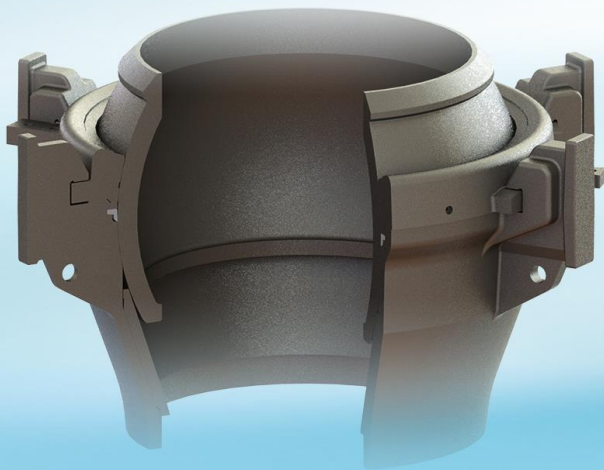
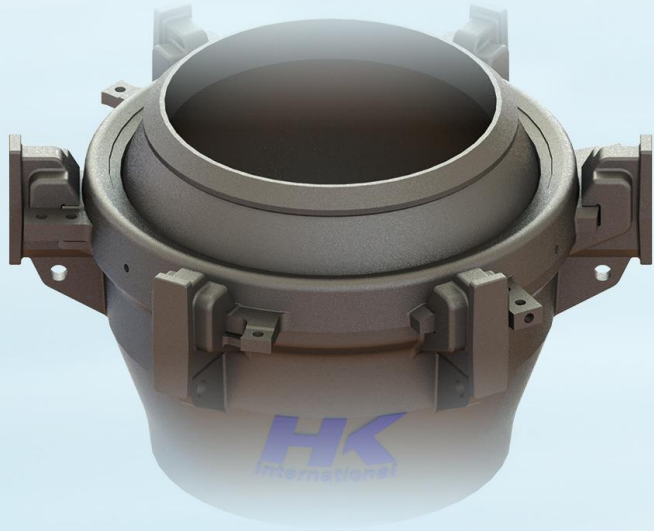
BALL JOINTS



HK International provides different standard models between 750 – 1000 mm pipe diameter, working under a pressure between 15-30 bar. All these models allow variations in angle up to 15°. However, HK International ball joints can be customized to the client's specific requirements.



HK International ball joints are produced using the most modern methods of design and manufacturing. HK International ball joints satisfy the most stringent quality standards.



HK Ball Joint features

- Sealed by exchangeable rubber
- Fix system by pin connection between case and gland
- Exchangeable liner
- Grease lubrication to facilitate rotation
- Six claws to ensure fixation
- Pipes are welded to the ball and the case
- 6 lifting holes to make transport easier

Benefits

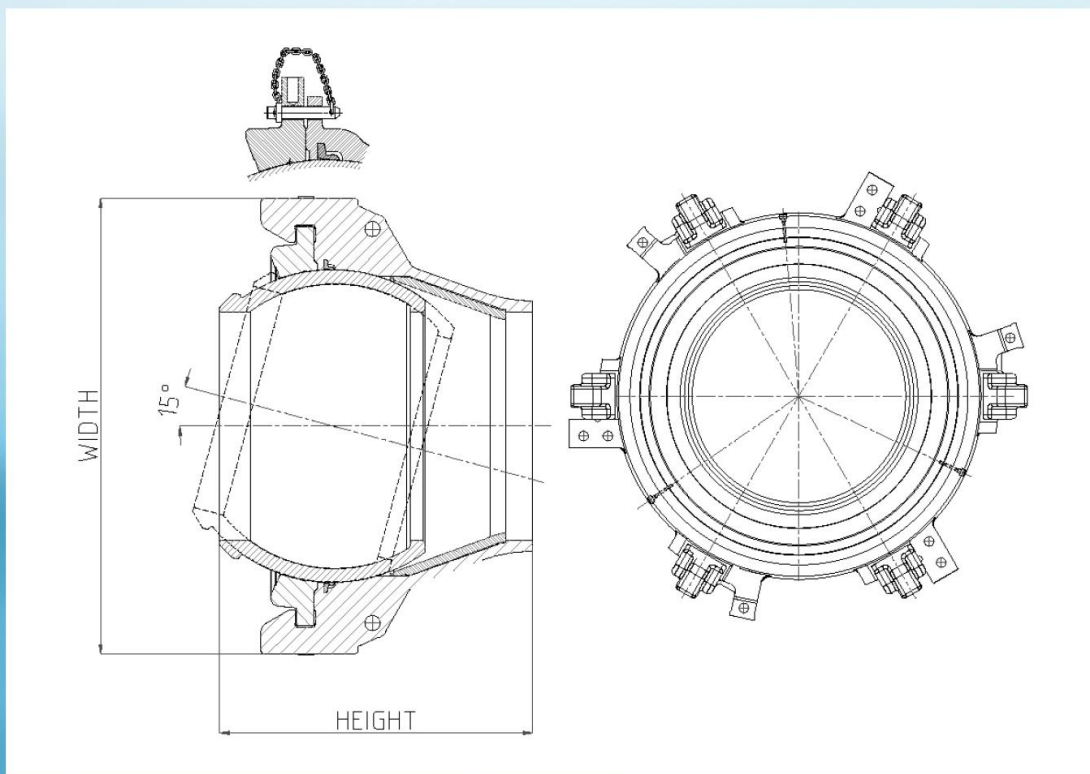
- Easy assembly and disassembly
- Low maintenance
- Easily replaceable liners
- Design according to client's requirements:
diameters, angles...
- Short delivery times

Materials

- Case: Cast steel high resistance GS60
- Ball: Cast steel high resistance GS60
- Gland: Cast steel high resistance GS60
- Liner: Mohard (high hardness and wear resistance)
- Seal: NBR 70

BALL JOINTS

	15 Bar			20 Bar			25 Bar			30 Bar		
Pipe ID (mm)	Height (mm)	Width (mm)	Weight (kg)	Height (mm)	Width (mm)	Weight (kg)	Height (mm)	Width (mm)	Weight (kg)	Height (mm)	Width (mm)	Weight (kg)
750	1100	1633	2540	1100	1633	2713	1100	1673	2914	1100	1690	3339
800	1100	1670	2629	1100	1690	2816	1100	1740	3084	1100	1740	3359
850	1100	1770	3106	1100	1770	3365	1100	1790	3579	1100	1820	3821
900	1120	1813	3345	1120	1850	3720	1120	1873	4178	1120	1943	4828
1000	1130	1953	4025	1130	1983	4167	1130	2003	4701	1130	2083	5882





HK International is specialized in dredging equipment. We engineer, design and manufacture dredging pumps, casings, impellers, ball joints, liners, pipes, bends, water chambers, suction mouths, wearing plates, etc.

We are located in Almere, the Netherlands.

HK International B.V.

Manuscriptstraat 1

1321 NP Almere

The Netherlands

Tel.: +31 (0)36-5245567

Fax: +31 (0)36-5245674

info@hk-international.nl

www.hk-international.nl